

Application

NBT2-125H high breaking capacity circuit breaker is used in AC 50Hz or 60Hz, single pole 240V, 2 3 4 poles 415V, for protecting the circuit which overload and short circuit may take place. It can be used in lighting and electric motor distribution system. Meantime it is applicable to infrequently switch the electric apparatus and light circuit under the normal conditions. The products comply with IEC60947.



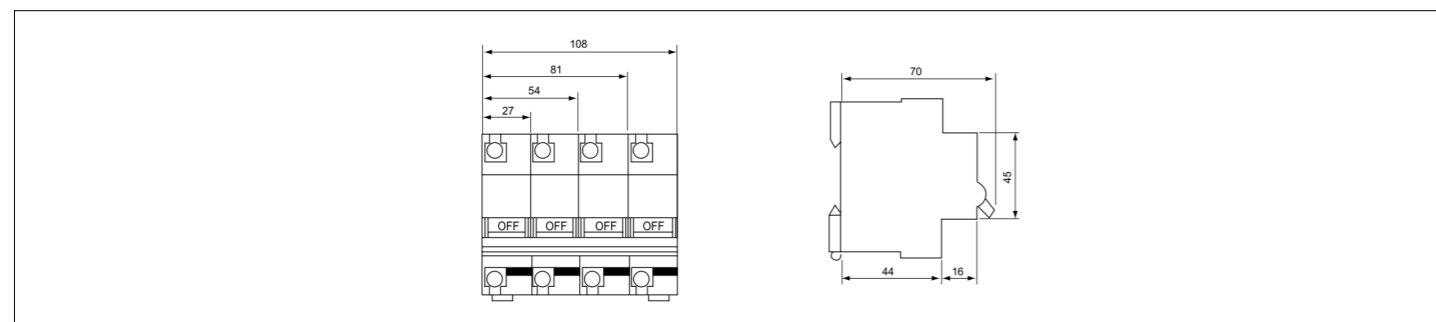
Specifications

Product Model	NBT2-125H			
Pole	1P	2P	3P	4P
Rated Current (A)	80, 100, 125			
Rated Voltage (V)	230	230/400	400	400
Breaking Capacity(kA)	10			
Colour	White			
Characteristic Curve	D			
Working Temperature	-5°C ~ +40°C			
Enclosed Class	IP20			
Standard	IEC60947-2			
Frequency	50/60Hz			
Electrical Life	Not less than 6000 times			
Mechanical Life	Not less than 20000 times			

Wiring diagram

Pole	1P	2P	3P	4P
Contacts Configurations				

Dimension



Application

GV2ME AC motor circuit breaker is applicable to the circuit with AC voltage up to 690V and current up to 32A. It can be used as overload, open phase and short circuit protection and infrequent starting control of three-phase squirrel cage asynchronous motor. It can be used as distribution line protection, infrequent load conversion and isolator.

This product complies with GB / t14048 2、GB/T14048. 4 standards.



Specifications

Model	Rated current In (A)	Setting current regulation range (A)	Standard rated power of three-phase motor (kW)					
			AC-3, 50Hz/60Hz					
			230/240V	400V	415V	440V	500V	690V
GV2ME01C	0.16	0.1-0.16	-	-	-	-	-	-
GV2ME02C	0.25	0.16-0.25	-	-	-	-	-	-
GV2ME03C	0.4	0.25-0.4	-	-	-	-	-	-
GV2ME04C	0.63	0.4-0.63	-	-	-	-	-	0.37
GV2ME05C	1	0.63-1	-	-	-	0.37	0.37	0.55
GV2ME06C	1.6	1-1.6	-	0.37	-	0.55	0.75	1.1
GV2ME07C	2.5	1.6-2.5	0.37	0.75	0.75	1.1	1.1	1.5
GV2ME08C	4	2.5-4	0.75	1.5	1.5	1.5	2.2	3
GV2ME10C	6.3	4-6.3	1.1	2.2	2.2	3	3.7	4
GV2ME14C	10	6-10	2.2	4	4	4	5.5	7.5
GV2ME16C	14	9-14	3	5.5	5.5	7.5	7.5	9
GV2ME20C	18	13-18	4	7.5	9	9	9	11
GV2ME21C	23	17-23	5.5	11	11	11	11	15
GV2ME22C	25	20-25	5.5	11	11	11	15	18.5
GV2ME32C	32	24-32	7.5	15	15	15	18.5	25

Selection guide

GV2ME	32	0.1-0.16A	
Motor circuit breaker	Frame current	0.1-0.16A ... 24-0.32A	
Thermal trip Setting current range	Magnetic trip Current	400/415, 400/415Hz, A3 type Rated power of threphase motor	Contactor model
0.1-0.16A	1.5A	--	CJX2-09
0.16-0.25A	2.4A	0.06KW	CJX2-09
0.25-0.4A	5A	0.09KW	CJX2-09
0.4-0.63A	8A	0.12KW	CJX2-09
0.63-1A	13A	0.25KW	CJX2-09
1-1.6A	22.5A	0.37KW	CJX2-09